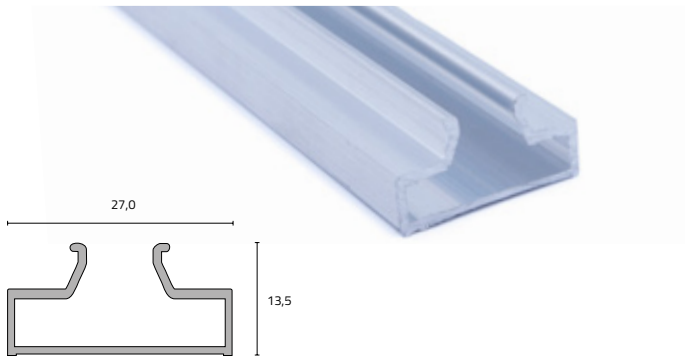


A retail display featuring a variety of scarves and handbags. On the left, several long scarves with different patterns (leopard print, geometric, and floral) are hanging. To the right, several handbags in different styles and colors (brown, grey, black) are displayed on a slat wall. The entire scene is overlaid with a semi-transparent orange filter. A large orange circle highlights the scarves on the left, and a large orange shape resembling a stylized '7' or a bracket is on the right side of the image.

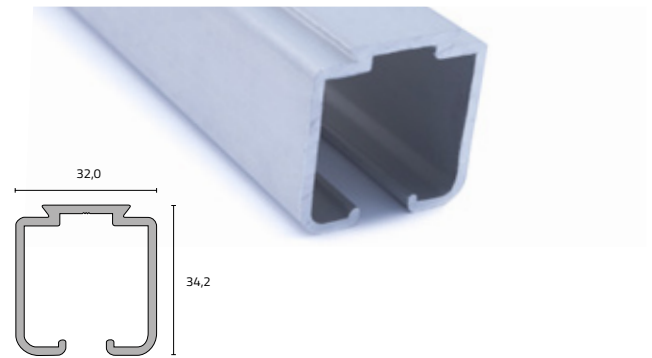
OUTROS PERFIS

Other Profiles



■ **PERFIL EXPOSITOR 055**
SINGLE SLOTTED PROFILE 055

Comprimento Length m	Acabamento Finish	Un
5,0	P	10

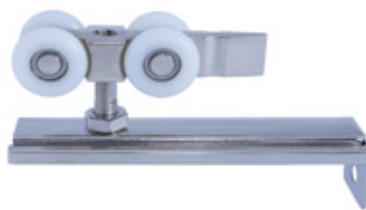


■ **CALHA PORTA DE CORRER**
PC RAIL

Comprimento Length m	Acabamento Finish	Un
4,0	P	10
5,0		



■ **FIXAÇÃO PC**
PC CONNECTOR
100 un



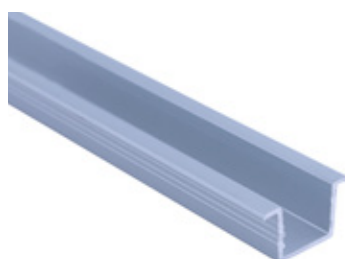
■ **KIT PORTA CORRER 14**
PC 14
20 un 100



■ **KIT PORTA CORRER 15**
PC 15
20 un 80



■ **PERFIL INFERIOR 329**
329 BOTTOM RAIL



■ **PERFIL SUPERIOR 329**
329 UPPER RAIL



■ **JOGO DE 2 CARROS SD 329**
SD 329 ROLLERS SET

SEDE

Febol, Ferragens da Borralha, Lda
Estrada Nacional 1, Km 227
Vale do Grou
3750-064 Aguada de Cima

Tlf: 00 351 234 624 193
Fax: 00 351 234 624 401
Email: geral@febol.com.pt

FILIAL

Avenida do Paço, nº 225
Paços de Ferreira
4595-278 Meixomil

Tlf/Fax: 00 351 255 816 219
E-mail: geralpf@febol.com.pt

www.febol.pt